



3Northway Lane North Latham, New York 12110.

Tollfree:1.800.984.5337

Phone:1.518.956.2980

Fax:1.518.785.4725

Http://www.marktechopto.com

SPECIFICATION

PART NO. : MT365-G24007

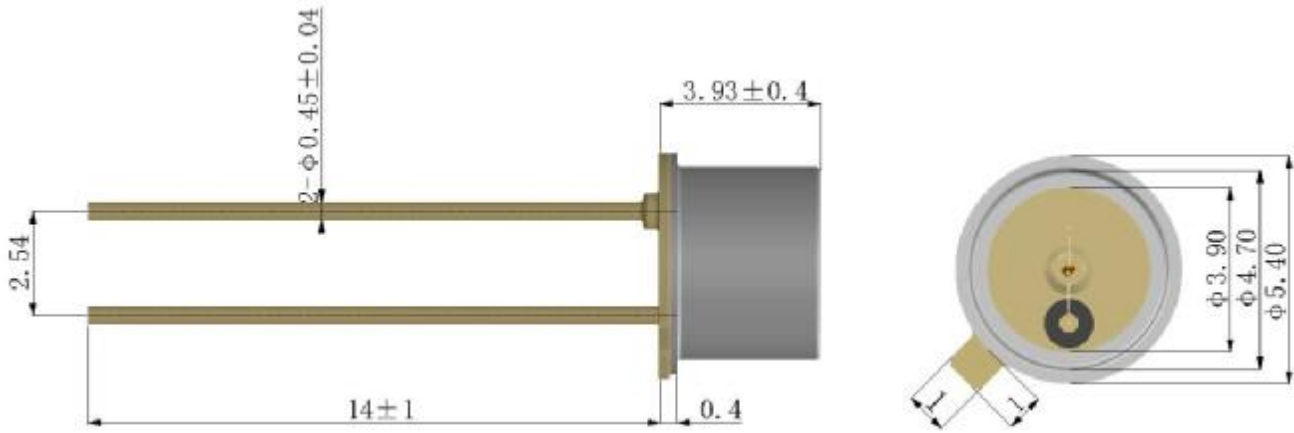
3.9mm ROUND LED



ATTENTION

**OBSERVE PRECAUTION
FOR HANDLING
ELECTRO STATIC
SENSITIVE
DEVICES**

Outline dimensions



1	LD+&GND	LD Output positive Ground pin	
2	LD-	LD Output negative	

Notes:

1. All dimensions are in mm.
2. The specifications, characteristics and technical data described in the datasheet are subject to change without notice.
3. Tolerance is $\pm 0.25\text{mm}$ unless otherwise noted.

Absolute Maximum Ratings at Ta=25°C

Parameter	Symbol	Rating	Unit
Reverse Voltage	V _R	≤5	V
Operating Temperature Range	T _{opr}	+5 to +35	°C
Storage Temperature Range	T _{stg}	-20 to +65	°C

Electrical and Optical Characteristics:

Parameter	Symbol	Condition	Min.	Typ.	Max.	Unit
Radiant Flux	Φ _e	I _f =20mA	3.4		4.8	mW
Forward Voltage	V _f	I _f =20mA	2.8		3.8	V
Peak Wavelength	λ _p	I _f =20mA		365		nm
Spectrum Line Halfwidth	Δλ	I _f =20mA		12		nm